

SPIDER 27.14

SELF-PROPELLED TRACKED VEHICLES

EN



PL / **TFORM**
B A S K E T

RAISING THE STANDARD

Made in Italy

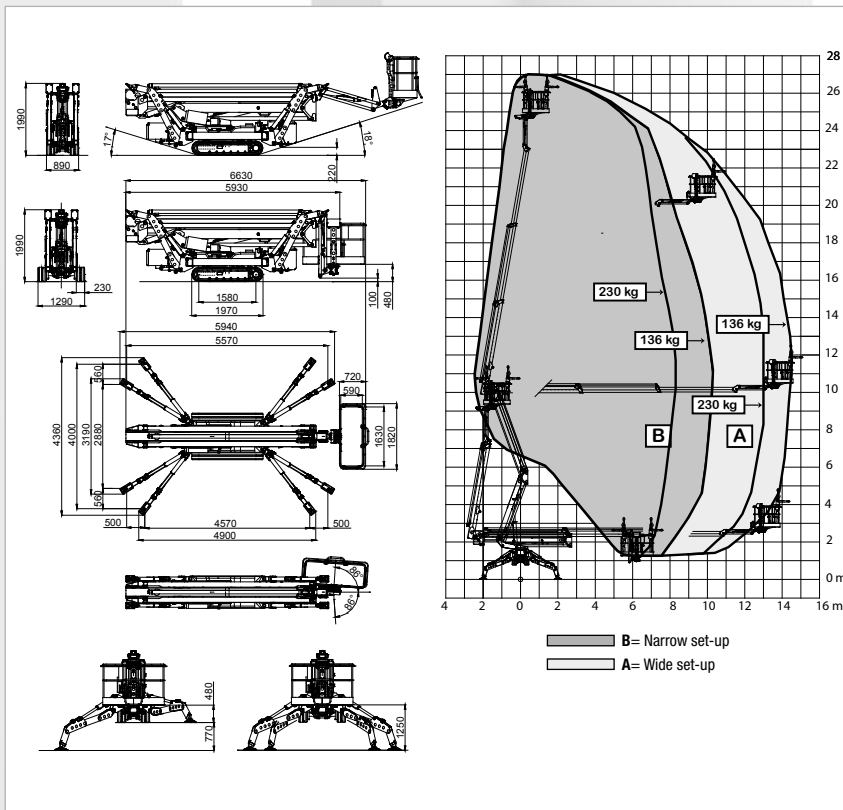


SERIES SPIDER 27.14

The most compact and easy to use

- Only 88cm (35") wide to go trough a single door
- Automatic stabilization and automatic storage device
- Rapid movement even in multi-function
- Great "Up and Over"
- Easy maintenance
- Simple and intuitive on-board equipment

- Air & Water & 220 Vac outlets into the basket
- Total protection for hydraulics pipes
- Bi energy Diesel+ Lithium Ion batteries available on demand
- Fully protected with steel covers
- Comfortable cage, with 230 kg capacity (2 operators)
- Cage interchangeable with winch (optional)



TECHNICAL SPECIFICATIONS		STD	E	ED
Maximum working height	m		27,01	
Floor height	m		25,01	
Maximum side outreach	m		15,11	
Rotation angle of the tower	°		360	
Aluminium basket dimensions	m		1,80x0,80	
Basket rotation angle	°		86+86	
Maximum capacity of basket	Kg		230	
Length closed (basket disassembled)	m		6,71 (5,93)	
Minimum width closed	m		0,89	
Minimum height closed	m		1,99	
Overall dimensions Stabilization	Wide Narrow		4,00 x 4,57 2,88 x 5,57	
Maximum horizontal inclination	degrees/%		14° (31%)	
Maximum side inclination	degrees/%		17° (31%)	
Maximum speed	Km/h	2,0	1,2	2,0
WEIGHTS		STD	E	ED
Weight in work conditions*	Kg	5000*	5120*	5200*
Ground pressure stowed machine	KN/m²	5,11	5,42	5,42
Ground pressure when on stabilizers	KN/m²	2,68	2,84	2,84
Max point load on one stabilizer	KN	31,9*	33,8*	33,8*
POWER		STD	E	ED
D902 Kubota diesel engine	HP/rpm	22/3600	-	22/3600
Electric motor 220 Vac	CV/KW	3/230	3/230	-
Electric Motor 24 Vdc	CV/KW	-	7,4/24	7,4/24
Traction battery capacity	24Vdc lithium Ion	Ah	400	400
Battery charger	lithium ion	Ah	100/50	100/50

* Subject to change depending on configuration.